

## Light Duty Range

+44 (0) 1932 872348

sales@mobile-scissor-tables.co.uk



### Technical Features

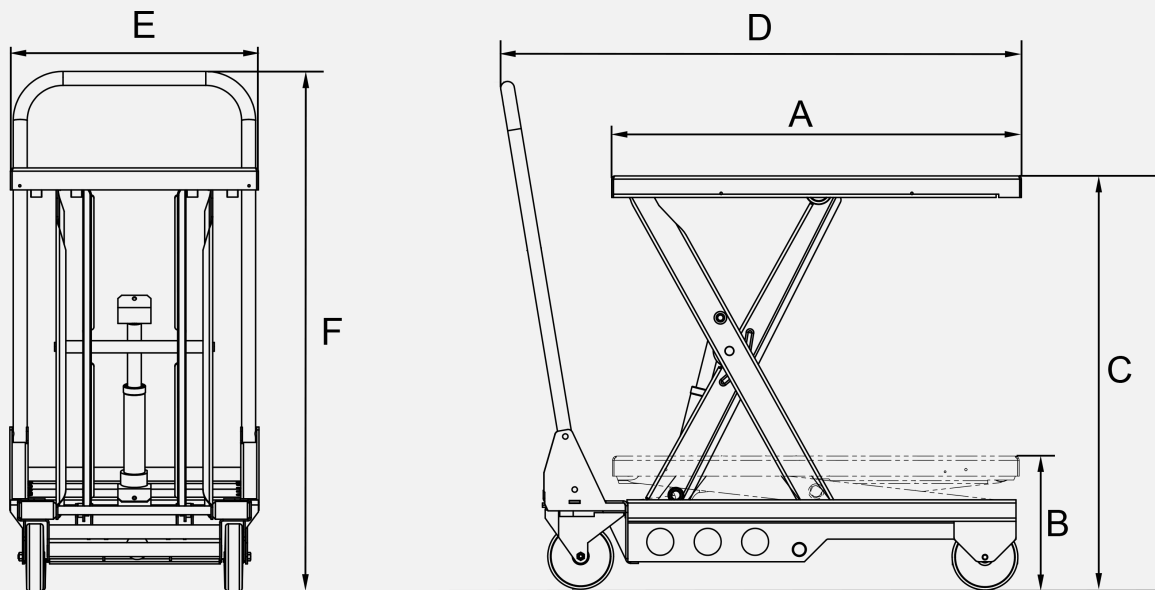
- Portable, highly manoeuvrable and easy to use
- Available in super lightweight aluminium or steel
- Lifts to a height of 780mm
- Manual operation
- Folds flat for easy transportation and storage
- Hinged handle automatically locks into upright position - released by foot bar
- Particularly suited to office and pharmaceutical environments
- Optional extras available
- Quality British manufacture and design
- Manufactured to conform to EU Standards BSEN 1570 and BS:5323:1980
- Can be used safely at any height
- Fitted with total stop brakes to prevent the table from moving when being unloaded
- Unique lift up table top allows safe and easy maintenance
- All models fitted with an overload valve and slow lowering valve to control lowering speed
- Rubber non-marking tyres to prevent damage to floors
- Wheels fitted with thread guards
- Epoxy powder coated finish for durability
- Issued with a Certificate of Conformity, warranty and test certificate

### Warnings

- Scissor tables are not designed to carry people - in accordance with EN1570
- Tables which carry rolling loads must be fitted with a device to prevent these rolling off
- Mobile tables are designed to be propelled by pedestrians - in accordance with EN1570
- The rated load of the table must not be exceeded - the load must be evenly distributed

## Technical Specification

Model	C Raised Height (mm)	D Closed Height (mm)	E x A Platform W x L (mm)	E x D O/A W x L (mm)	F Handle Height (mm)	Wheel Dia (mm)	Approx. Weight (Kg)	Reference	Approx. Pumps to Lift Height
Steel	780	225	450 x 760	450 x 990	940	125	41	SC-150-SM	14
Aluminium	780	225	450 x 760	450 x 990	940	125	27	SC-150-SM-ALU	14



## Optional Extras

- Second braked wheel
- Stainless steel top cover
- Plastic roller conveyor top - increases closed/raised height by 60mm
- Ball top
- Bellows safety skirt
- Rubber mat